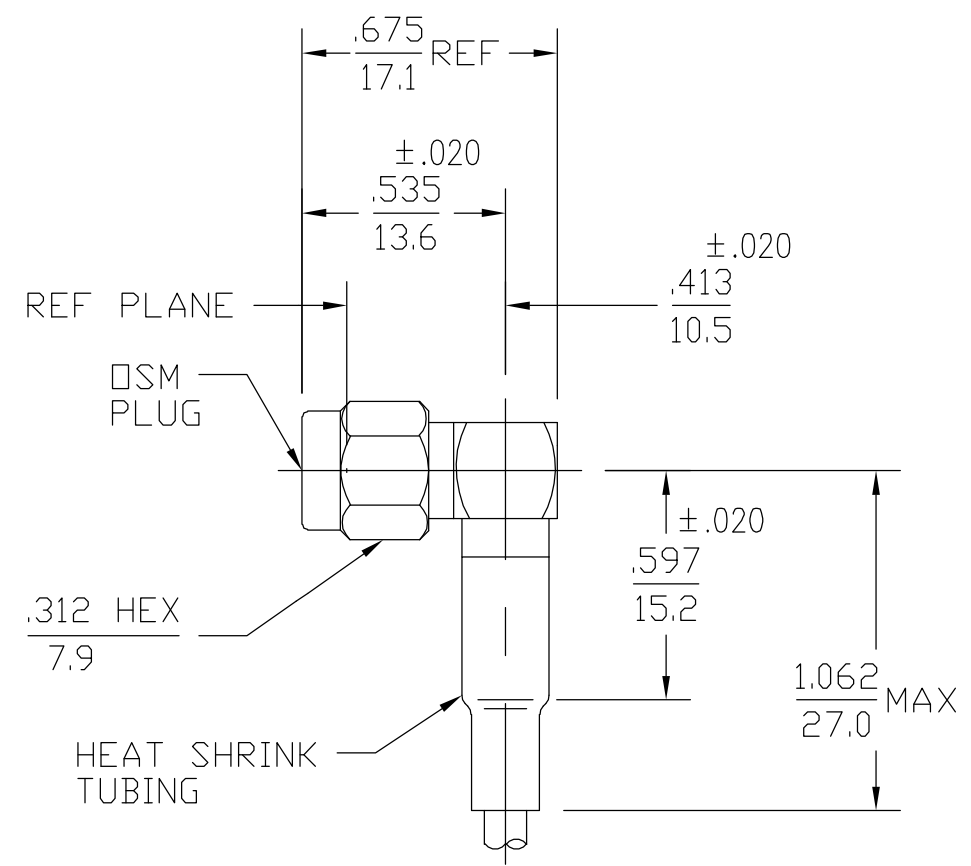


THIS DRAWING IS UNPUBLISHED. RELEASED FOR PUBLICATION
 © COPYRIGHT BY TYCO ELECTRONICS CORPORATION. ALL RIGHTS RESERVED.

LOC	DIST	REVISIONS					
DF	X5	P	LTR	DESCRIPTION	DATE	DWN	APVD
		B		REV PER 0H14-0250-05	06MAR06	PY	FB



- 1. FOR USE WITH CABLE RD-316/U
- △2 TIN-LEAD PLATED PER MIL-C-14550
- △3 MATTE TIN PLATE PER ASTM-B-545

△3	5-1406143-1	5-1046251-1
△2	1406143-1	1046251-1
FERRULE		PART NUMBER

THIS DRAWING IS A CONTROLLED DOCUMENT.		DWN P. YEAGER 03MAR2006	Tyco Electronics Corporation Harrisburg, Pa 17105-3608	
DIMENSIONS: INCHES	TOLERANCES UNLESS OTHERWISE SPECIFIED:	CHK F. BLASICK 06MAR06	NAME	
	0 PLC ± -	APVD F. BLASICK 06MAR06	OSM RIGHT ANGLE CABLE PLUG CRIMP ATTACHMENT	
	1 PLC ± -	PRODUCT SPEC	-	
	2 PLC ± -	APPLICATION SPEC	-	
	3 PLC ± -	WEIGHT	-	
	4 PLC ± -	CUSTOMER DRAWING	-	
	ANGLES ± -	SCALE	2:1	
MATERIAL	FINISH	SIZE	CAGE CODE	DRAWING NO
-	-	A3	00779	C-1046251
		SHEET	1	OF 1
		REV	B	